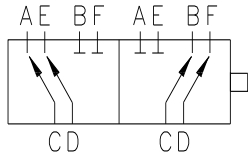
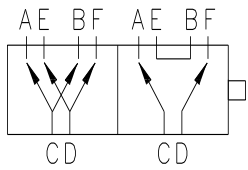


MDS- Double Selector Hydraulic Valve 6 Way

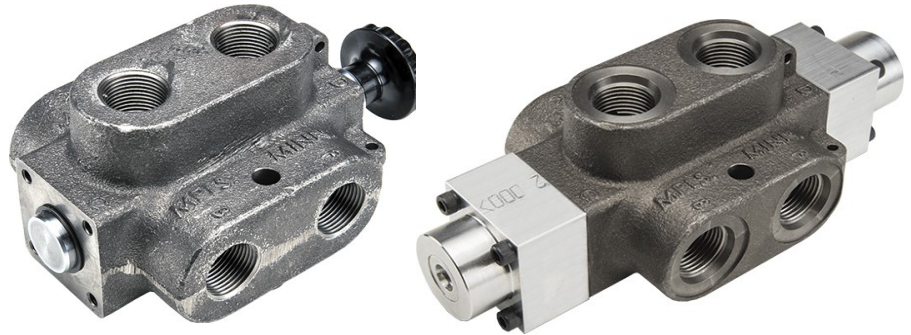
Functional Symbol:



Standard



Series Parallel



Description:

The MDS is a two position, double selector valve which directs the flow of hydraulic fluid to two separate hydraulic circuits. This allows operation of two double acting cylinders with one four-way control valve or four-single acting cylinders with two-three-way control valves.

Operation:

The Metro MDS two position double selector valve is of the open-crossover type. When the spool is moved and one pair of outlet ports start to close, the other pair of outlet ports start to open.

Installation Examples:

[Hydraulic Circuit- Selector Valve w Optional Float Spool](#)

[Hydraulic Circuit- Double Selector w Power Beyond Directional](#)

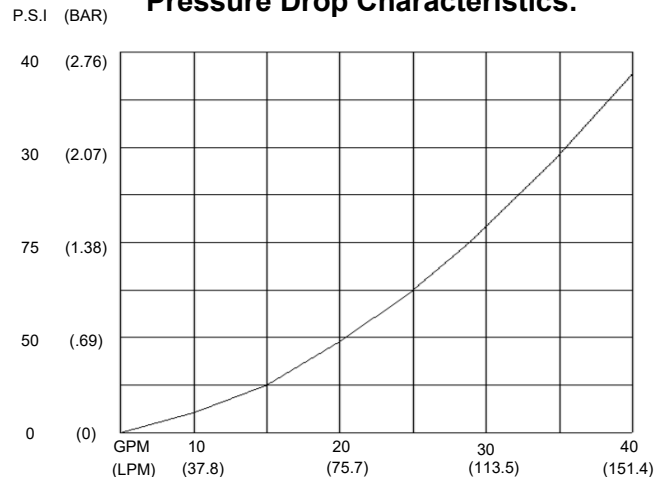
Features:

- Easy to Mount
- Chrome Plated Spool, for long lasting
- High-Tensile Cast Iron Body
- Knob/ handle options

Specification:

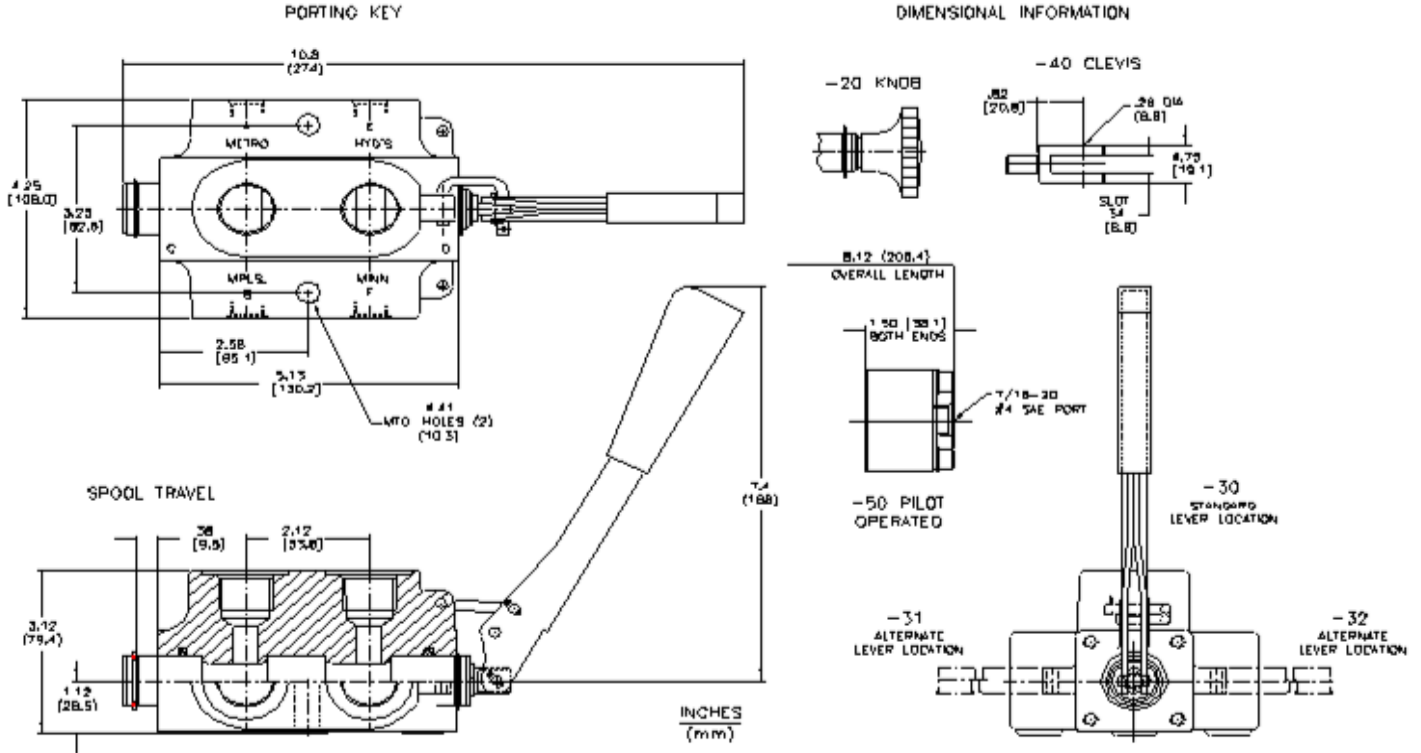
Flow Capacity	Pressure Rating	Temperature Range	Weight
30 GPM	3000 PSI	-22° to + 194° F	10 lbs
114 (L/MIN)	(207 Bar)	-30° to + 90° C	(4.5 kg)

Pressure Drop Characteristics:



MDS- Double Selector Hydraulic Valve 6 Way

Technical:



Ordering Instructions:

MDS
08
P
50
SR
ZP

Model Number	Port Size	Spool Type Options	Spool Actuator	Spool Return Options	Finish Options
MDS	04 1/2" - 14 NPT	Blank Std Crossover	10 No Actuator	Blank None	Blank - Plain Casting
	05 3/4"-14 NPT	P Parallel	20 Knob	SR Spring Return (100psi)	ZP - Zinc Plated
	06 1" NPT		30 Lever	SRHD Spring Return HD (200psi)	
	08 #8 SAE, 3/4" - 16		40 Clevis	SRHU Spring Return Heavy Usage	
	10 #10 SAE, 7/8"-14		45 T Handle	RD Spring Return w/ std spool	
	12 #12 SAE, 1 1/16"-12		50 Hydraulic Pilot		
16 #16 SAE, 1 5/16"-12		60 High Pressure Hyd Pilot			
		60A Hyd Pilot\ Solenoid Actuator			
		85 Air Pilot			